



XCMG introduction



XCMG MEWP Division introduction

XCMG is the founder and pioneer of China's construction machinery. Since its establishment in 1989, XCMG has always maintained its leading position in China's construction machinery industry. At present, it ranks the fourth in the world construction machinery industry, the fourth in the top 100 of China's machinery industry, and the 427th in the world's top 500 brands. It is a large enterprise group with huge scale, complete product varieties and series, unique competitiveness and influence in China's construction machinery industry.

XCMG MEWP Division as a specialized manufacturing enterprise that develops, produces and sells aerial work platforms in China, focuses on supplying customers with complete sets of solutions for safe aerial work. With a floor area of 22,000 m² and a building area of 150,000 m², the company has 14 intelligent production lines and hundreds of high-grade production equipment interconnected, and uses digital management in the whole process, the company is the largest fire truck and aerial work platform intelligent manufacturing base in China.



CHINESE CONSTRUCTION MACHINERY INDUSTRY

TOP1



TOP 100 IN THE CHINESE MACHINERY INDUSTRY

TOP4



GLOBAL CONSTRUCTION MACHINERY INDUSTRY

TOP4



MOBILE ELEVATING WORK PLATFORM OF CHINA

LEADING BRAND

Intelligent Manufacturing

XCMG Fire-fighting Safety Equipment Co., Ltd. has the most professional, advanced, intelligent and efficient production process, equipment and facilities in the aerial work platform industry, such as multiple on-line fiber laser automatic cutting line, CNC machining center cluster, manipulator full-automatic bending machine, AGV automatic transfer robot welding line, robot high-quality powder spraying line, EMS three-dimensional transportation full-automatic assembly line, online detection system, etc. and realized intelligent Internet of Things and centralized control.

The company, with process technology innovation and informatization deep integration as the main line and "intelligent manufacturing" as the main direction, realized organic integration of production-manufacturing, information technology and Internet of Things, established a product-life-cycle-oriented manufacturing system with information perception, decision-making optimization and execution control functions, and realized high-quality, efficient, flexible, clean, safe and quick product manufacturing and user serving by using intelligent equipment such as industrial robots, CNC machining centers, automatic production lines and information management software such as SCADA and MES.



Product Spectrum

Scissor Lifts



XG0807HD/XG0807HDW



XG1008HD/XG1012HD



XG1212HD



XG1412HD



XG1612HD



XG0607DC



XG0807DC/XG0807DCW



XG1008DC/XG1012DC



XG1212DC/XG1412DC



XG1612DC

Telescopic Boom Lifts



XGS22



XGS24



XGS28



XGS34



XGS40



XGS43



XGS58

Articulating Boom Lifts



XGA16AC



XGA20AC



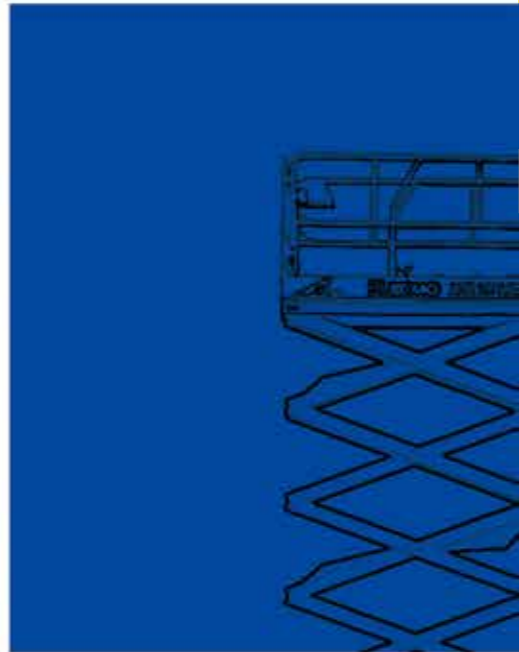
XGA16



XGA20



XGA26



SCISSOR LIFTS

HIGHLIGHTS



Convenient Maintenance



Extension Deck



GPS



Repairing Rod



Brake Release



Emergency Lowering System



Pothole Protection



Tight Turning Radius



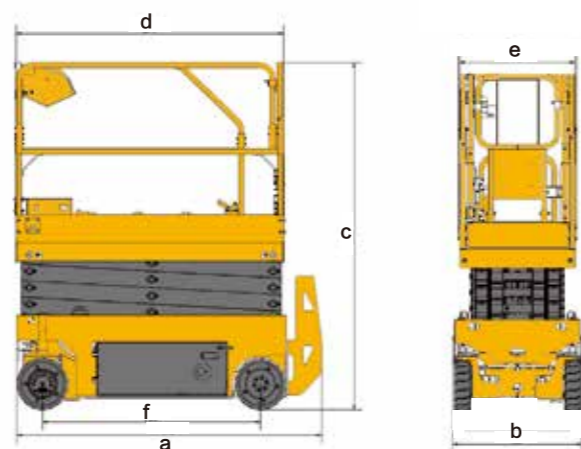
Flashing Beacon



XG0807HD/XG0807HDW

Parameter

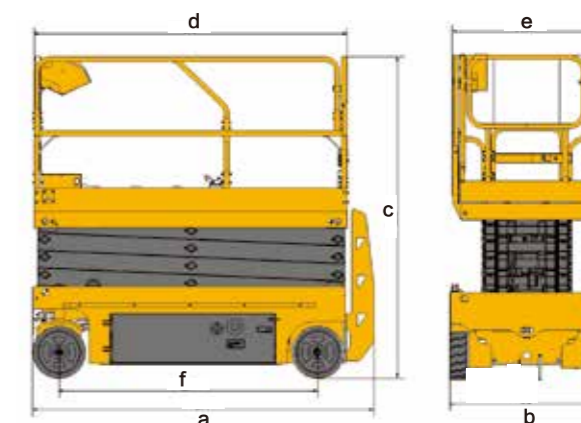
Item	Item	XG0807HD	XG0807HDW
Max. Working height	m	7.8	7.8
Max. Platform height	m	5.8	5.8
Load capacity	kg	230	230
Load capacity of extended platform	kg	115	115
Max. Occupant Capacity		2	2
Min. ground clearance (pit protector rising/descending)	mm	70/20	70/20
Min. Turning radius (inner/outer wheel)	m	0/1.75	0/1.75
Lifting motor	kW	3.3	3.3
Lifting/Descending duration of platform	s	13-30/25-35	13-30/25-35
Max. Traveling speed at low level	km/h	3.9	3.9
Max. Traveling speed at high level	km/h	0.8	0.8
Max. gradeability	%	25	25
Max. Inclination (side/forward and backward)	°	1.5/3	1.5/3
Battery	v/Ah	4 × 6/225	4 × 6/225
Charger	v/A	24/30	24/30
Tire specification	—	323 × 100	323 × 100
Total machine weight	kg	1550	1580
a Overall length(no ladder)	mm	1900(1680)	1900(1680)
b Overall width	mm	760	810
c Overall height (platform folded)	mm	2160(1830)	2160(1830)
d × e Working platform dimension (Length × Width)	mm	1670 × 740	1670 × 740
Length of extension platform	mm	900	900
f Wheelbase	mm	1360	1360



XG1008HD/XG1012HD

Parameter

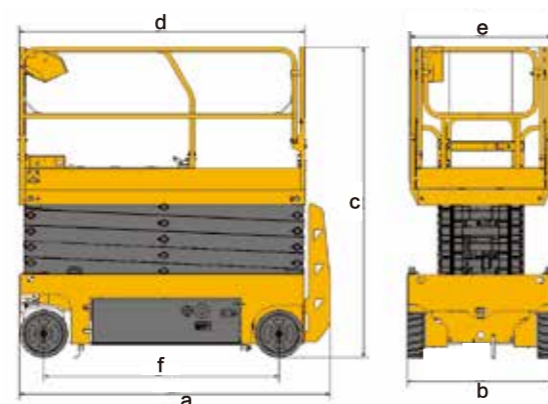
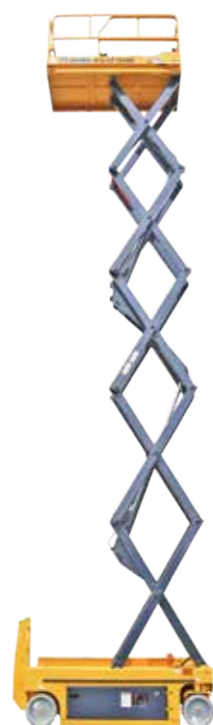
Item	Item	XG1008HD	XG1012HD
Max. Working height	m	10	10
Max. Platform height	m	8	8
Load capacity	kg	230	450
Load capacity of extended platform	kg	115	115
Max. Occupant Capacity		2	2
Min. ground clearance (pit protector rising/descending)	mm	100/20	100/20
Min. Turning radius (inner/outer wheel)	m	0/2.3	0/2.3
Lifting motor	kW	3.3	3.3
Lifting/Descending duration of platform	s	29 ~ 40/34 ~ 45	29-40/34-45
Max. Traveling speed at low level	km/h	3.5	3.2
Max. Traveling speed at high level	km/h	0.8	0.8
Max. gradeability	%	25	25
Max. Inclination (side/forward and backward)	°	1.5/3	1.5/3
Battery	v/Ah	4 × 6/225	4 × 6/225
Charger	v/A	24/30	24/30
Tire specification	—	381 × 127	381 × 127
Total machine weight	kg	2150	2620
a Overall length(no ladder)	mm	2477 (2280)	2477 (2267)
b Overall width	mm	810	1170
c Overall height (platform folded)	mm	2335(2005)	2355 (1805)
d × e Working platform dimension (Length × Width)	mm	2270 × 810	2277 × 1120
Length of extension platform	mm	900	900
f Wheelbase	mm	1877	1877



XG1212HD/XG1412HD/XG1612HD

Parameter

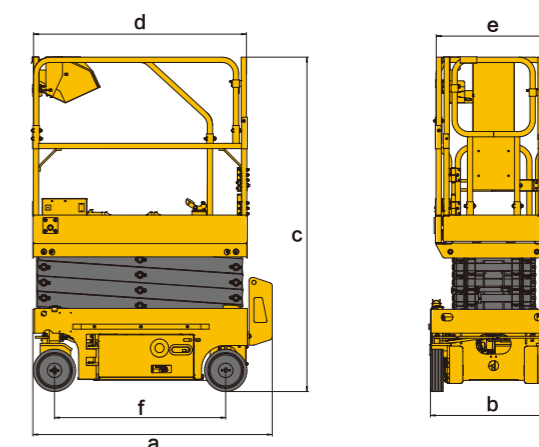
Item	Item	XG1212HD	XG1412HD	XG1612HD
Max. Working height	m	12	13.8	15.7
Max. Platform height	m	10	11.8	13.7
Load capacity	kg	320	320	230
Load capacity of extended platform	kg	115	115	115
Max. Occupant Capacity		2	2	2
Min. ground clearance (pit protector rising/descending)	mm	100/20	100/20	100/20
Min. Turning radius (inner/outer wheel)	m	0/2.3	0/2.3	0/2.65
Lifting motor	kW	4.5	4.5	4.5
Lifting/Descending duration of platform	s	50-75/43-65	45-70/52-78	65-82/61-80
Max. Traveling speed at low level	km/h	3.2	3.2	3.2
Max. Traveling speed at high level	km/h	0.8	0.8	0.8
Max. gradeability	%	25	25	25
Max. Inclination (side/forward and backward)	°	1.5/3	1.5/3	1.5/3
Battery	v/Ah	4 × 6/240	4 × 12/300	4 × 12/300
Charger	v/A	24/30	24/30	24/30
Tire specification	—	381 × 127	381 × 127	381 × 127
Total machine weight	kg	2900	3100	3350
a Overall length(no ladder)	mm	2477 (2267)	2480 (2270)	2840 (2630)
b Overall width	mm	1170	1190	1250
c Overall height (platform folded)	mm	2480 (1930)	2600 (2060)	2600(2060)
d × e Working platform dimension (Length × Width)	mm	2277 × 1120	2275 × 1120	2640 × 1120
Length of extension platform	mm	900	900	900
f Wheelbase	mm	1877	1877	2240



XG0607DC

Parameter

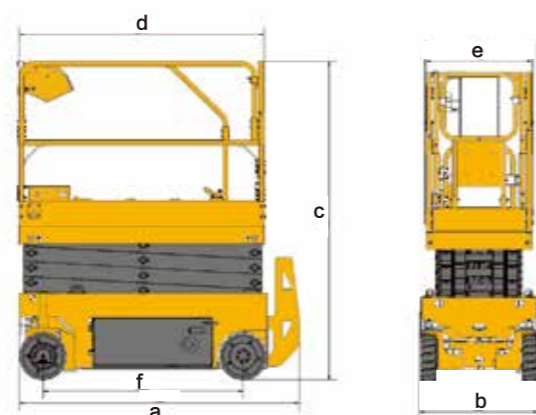
Item	Item	XG0607DC
Max. Working height	m	5.6
Max. Platform height	m	3.6
Load capacity	kg	230
Load capacity of extended platform	kg	90
Max. Occupant Capacity		2
Min. ground clearance (pit protector rising/descending)	mm	65/15
Min. Turning radius (inner/outer wheel)	m	0.4/1.55
Lifting motor	kW	1.3
Lifting/Descending duration of platform	s	27-37/23-33
Max. Traveling speed at low level	km/h	4
Max. Traveling speed at high level	km/h	0.5
Max. gradeability	%	25
Max. Inclination (side/forward and backward)	°	1.5/2.5
Battery	v/Ah	2 × 12/85
Charger	v/A	24/15
Tire specification	—	254 × 76
Total machine weight	kg	920
a Overall length(no ladder)	mm	1440(1290)
b Overall width	mm	760
c Overall height (platform folded)	mm	2020(1660)
d × e Working platform dimension (Length × Width)	mm	1290 × 700
Length of extension platform	mm	600
f Wheelbase	mm	1030



XG0807DC/XG0807DCW

Parameter

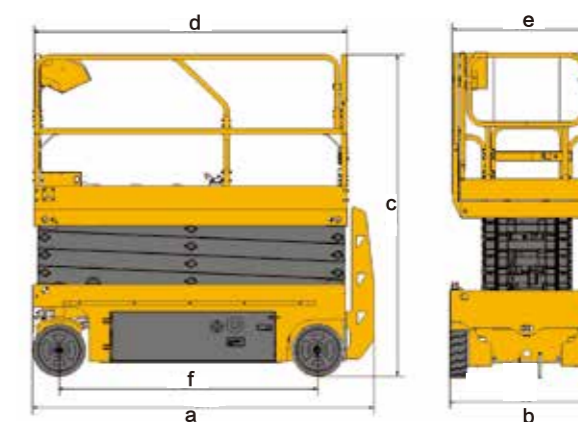
Item	Item	XG0807DC	XG0807DCW
Max. Working height	m	7.8	7.8
Max. Platform height	m	5.8	5.8
Load capacity	kg	230	230
Load capacity of extended platform	kg	115	115
Max. Occupant Capacity		2	2
Min. ground clearance (pit protector rising/descending)	mm	70/20	70/20
Min. Turning radius (inner/outer wheel)	m	0/1.75	0/1.75
Lifting motor	kW	3.3	3.3
Lifting/Descending duration of platform	s	13-30/25-35	13-30/25-35
Max. Traveling speed at low level	km/h	4.5	4.5
Max. Traveling speed at high level	km/h	0.8	0.8
Max. gradeability	%	25	25
Max. Inclination (side/forward and backward)	°	1.5/3	1.5/3
Battery	v/Ah	4 × 6/225	4 × 6/225
Charger	v/A	24/30	24/30
Tire specification	—	323 × 100	323 × 100
Total machine weight	kg	1550	1580
a Overall length(no ladder)	mm	1900(1680)	1900(1680)
b Overall width	mm	760	810
c Overall height (platform folded)	mm	2160(1830)	2160(1830)
d × e Working platform dimension (Length × Width)	mm	1670 × 740	1670 × 740
Length of extension platform	mm	900	900
f Wheelbase	mm	1360	1360



XG1008DC/XG1012DC

Parameter

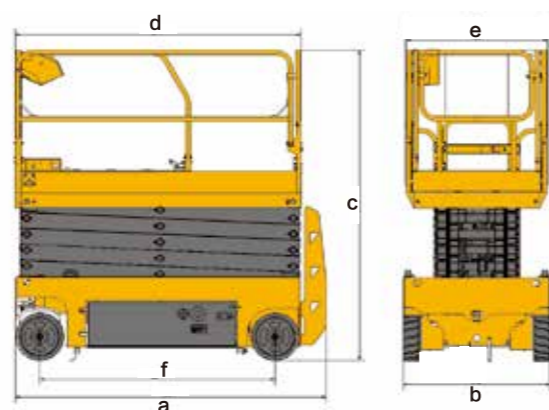
Item	Item	XG1008DC	XG1012DC
Max. Working height	m	10	10
Max. Platform height	m	8	8
Load capacity	kg	230	450
Load capacity of extended platform	kg	115	115
Max. Occupant Capacity		2	2
Min. ground clearance (pit protector rising/descending)	mm	100/20	100/20
Min. Turning radius (inner/outer wheel)	m	0/2.3	0/2.3
Lifting motor	kW	3.3	3.3
Lifting/Descending duration of platform	s	29-40/34-45	29-40/34-45
Max. Traveling speed at low level	km/h	4	4
Max. Traveling speed at high level	km/h	0.8	0.8
Max. gradeability	%	25	25
Max. Inclination (side/forward and backward)	°	1.5/3	1.5/3
Battery	v/Ah	4 × 6/225	4 × 6/225
Charger	v/A	24/30	24/30
Tire specification	—	381 × 127	381 × 127
Total machine weight	kg	2150	2620
a Overall length(no ladder)	mm	2477(2280)	2477(2267)
b Overall width	mm	810	1170
c Overall height (platform folded)	mm	2335(2005)	2355(1805)
d × e Working platform dimension (Length × Width)	mm	2270 × 810	2277 × 1120
Length of extension platform	mm	900	900
f Wheelbase	mm	1877	1877



XG1212DC/XG1412DC

Parameter

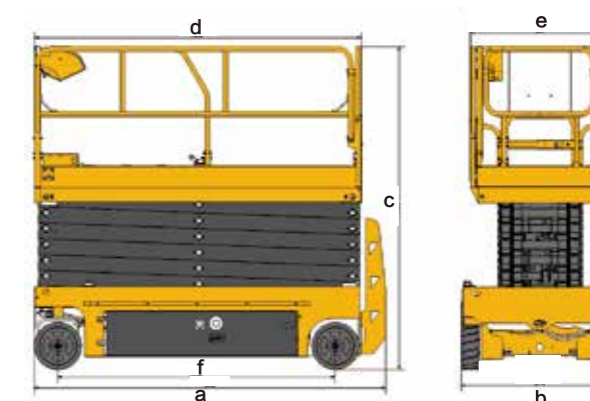
Item	Item	XG1212DC	XG1412DC
Max. Working height	m	12	13.8
Max. Platform height	m	10	11.8
Load capacity	kg	320	320
Load capacity of extended platform	kg	115	115
Max. Occupant Capacity		2	2
Min. ground clearance (pit protector rising/descending)	mm	100/20	100/20
Min. Turning radius (inner/outer wheel)	m	0/2.3	0/2.3
Lifting motor	kW	4.5	4.5
Lifting/Descending duration of platform	s	50-75/43-65	45-70/52-78
Max. Traveling speed at low level	km/h	4	4
Max. Traveling speed at high level	km/h	0.8	0.8
Max. gradeability	%	25	25
Max. Inclination (side/forward and backward)	°	1.5/3	1.5/3
Battery	v/Ah	4 × 6/240	4 × 12/300
Charger	v/A	24/30	24/30
Tire specification	—	381 × 127	381 × 127
Total machine weight	kg	2900	3100
a Overall length(no ladder)	mm	2477(2267)	2480(2270)
b Overall width	mm	1170	1190
c Overall height (platform folded)	mm	2480(1930)	2600(2060)
d × e Working platform dimension (Length × Width)	mm	2277 × 1120	2275 × 1120
Length of extension platform	mm	900	900
f Wheelbase	mm	1877	1877



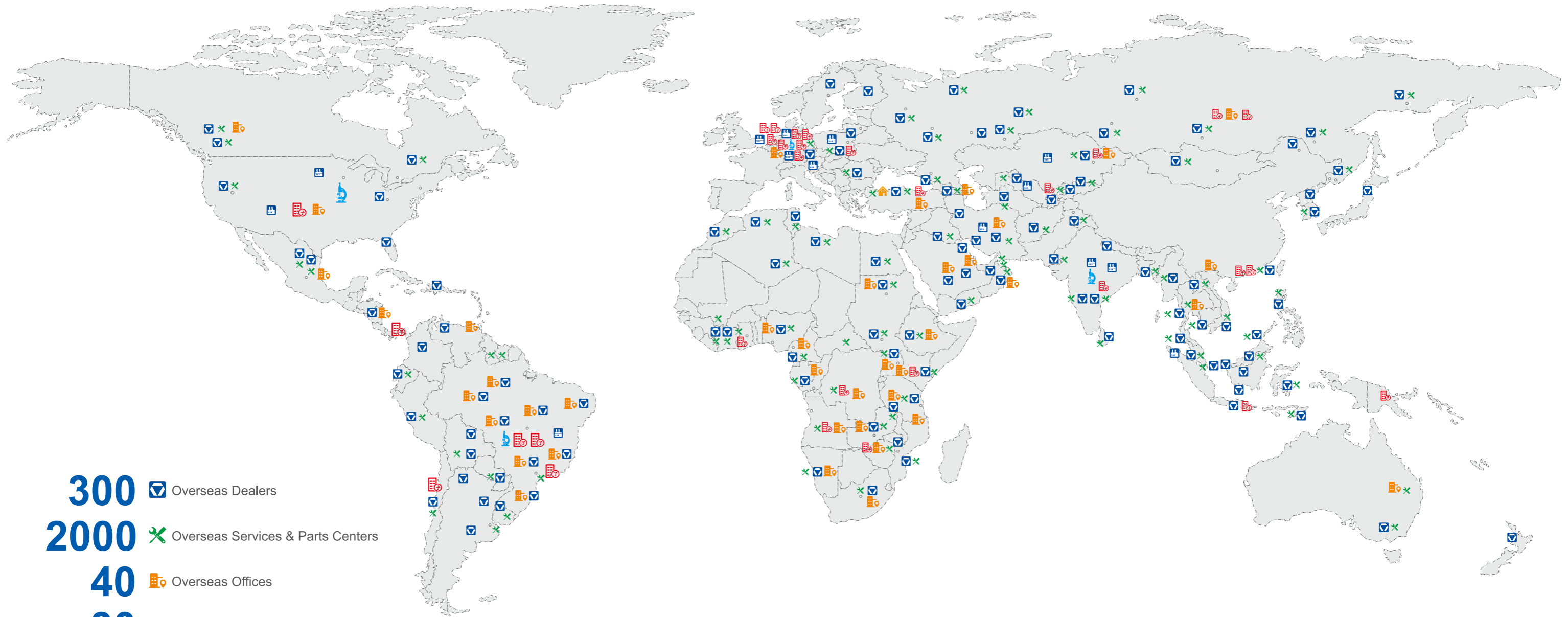
XG1612DC

Parameter

Item	Item	XG1612DC
Max. Working height	m	15.7
Max. Platform height	m	13.7
Load capacity	kg	230
Load capacity of extended platform	kg	115
Max. Occupant Capacity		2
Min. ground clearance (pit protector rising/descending)	mm	100/20
Min. Turning radius (inner/outer wheel)	m	0/2.65
Lifting motor	kW	4.5
Lifting/Descending duration of platform	s	65-82/61-80
Max. Traveling speed at low level	km/h	4
Max. Traveling speed at high level	km/h	0.8
Max. gradeability	%	25
Max. Inclination (side/forward and backward)	°	1.5/3
Battery	v/Ah	4 × 12/300
Charger	v/A	24/30
Tire specification	—	381 × 127
Total machine weight	kg	3350
a Overall length(no ladder)	mm	2840(2630)
b Overall width	mm	1250
c Overall height (platform folded)	mm	2600(2060)
d × e Working platform dimension (Length × Width)	mm	2640 × 1120
Length of extension platform	mm	900
f Wheelbase	mm	2240



Marketing & Service



300

Overseas Dealers

2000

Overseas Services & Parts Centers

40

Overseas Offices

30

Overseas Companies

14

Overseas Manufacturing Bases & KD Factories

4

Overseas R&D Centers



Machmall.com is an electromechanical product platform officially launched by XCMG, aiming to provide global customers with a complete set of high-quality construction machinery solutions and supporting equipment.

Xuzhou Construction Machinery Group Co., Ltd. (XCMG Group), founded in 1943, is the fourth largest worldwide construction machinery manufacturer and the largest in China with products covering 183 countries and regions.

XCMG have 12 complete solutions: Crane lifting, Mining Construction, Earth-moving Solutions, Road Machinery, Concrete Equipment, Tunnel and Underground Space Construction, Mobile Elevating Work Platform (MEWP), Piling and Non-excavation Equipment, Transportation Equipment, Environmental Sanitation Equipment, Firefighting, Safety and Emergency Rescue


徐工徐工，助您成功

— XCMG for your success —



 <https://www.machmall.com/>

 machmall@xcmg.com

 0086 18652183963
86-516 8773 9797